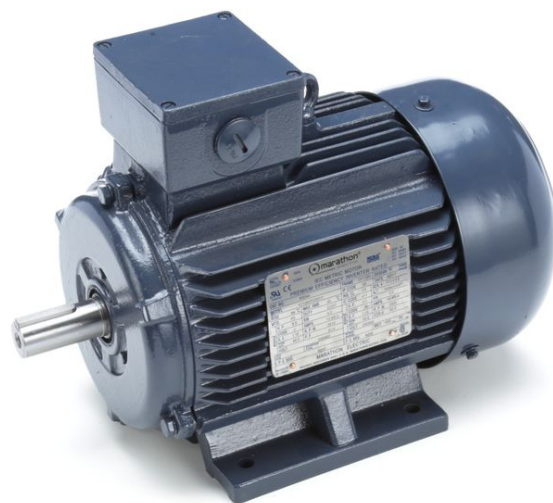


PRODUCT INFORMATION PACKET

Model No: 112MTFC6512
Catalog No: R424A
5.50 HP General Purpose, 3 phase, 3600 RPM, 575 V, 112M Frame, TEFC
Cast Iron TEFC Motors



Regal and Marathon are trademarks of Regal Beloit Corporation or one of its affiliated companies.
©2020 Regal Beloit Corporation, All Rights Reserved. MC017097E

REGAL



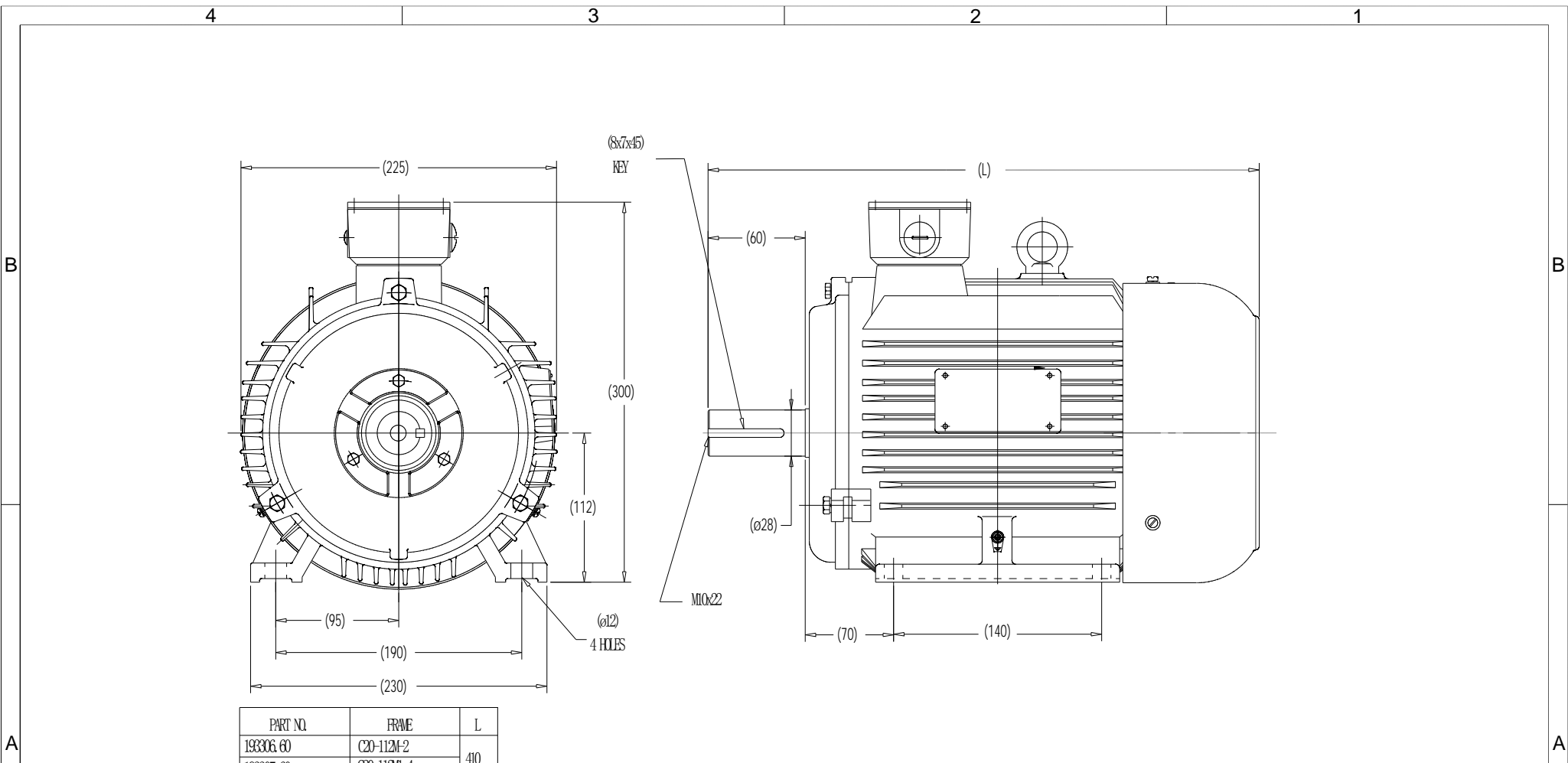
Nameplate Specifications

Output HP	5.50 Hp	Output KW	4.1 kW
Frequency	60 Hz	Voltage	575 V
Current	5.1 A	Speed	3510 rpm
Service Factor	1.15	Phase	3
Efficiency	89.5 %	Power Factor	91
Duty	Continuous	Insulation Class	F
Design Code	B	KVA Code	J
Frame	112M	Enclosure	Totally Enclosed Fan Cooled
Thermal Protection	No	Ambient Temperature	40 °C
Drive End Bearing Size	6206	Opp Drive End Bearing Size	6205
UL	Recognized	CSA	N
CE	Y	IP Code	54

Technical Specifications

Electrical Type	Squirrel Cage Inverter Rated	Starting Method	Line Or Inverter
Poles	2	Rotation	Reversible
Mounting	Rigid Base	Motor Orientation	Horizontal Or Shaft Down
Drive End Bearing	Ball	Opp Drive End Bearing	Ball
Frame Material	Cast Iron	Shaft Type	IEC
Overall Length	18.42 in	Shaft Diameter	1.111 in
Shaft Extension	2.36 in	Assembly/Box Mounting	F3
Outline Drawing	SS622368-193306	Connection Drawing	005102.01

This is an uncontrolled document once printed or downloaded and is subject to change without notice. Date Created:19/10/2020



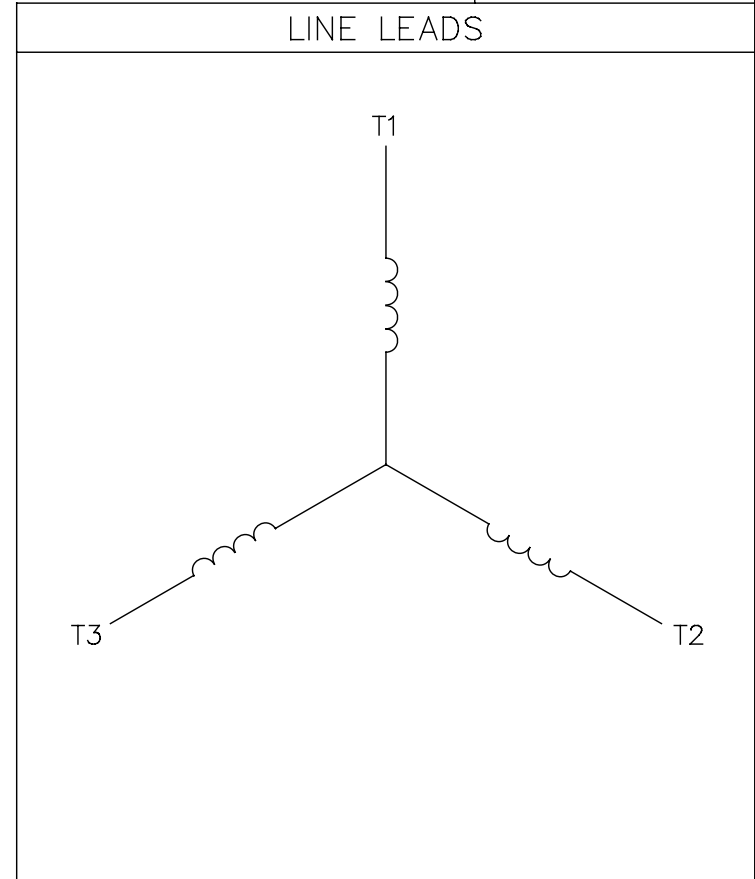
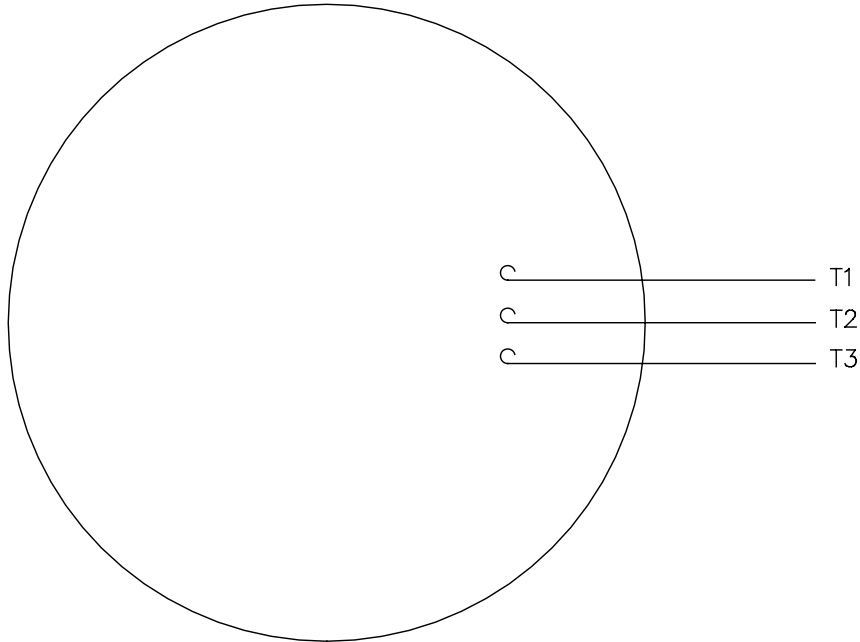
PART NO.	FRAME	L
193306.60	C20-112M-2	410
193307.60	C20-112M-4	410
193302.60	C20-112M-6	468

DRAWING NOT TO SCALE

DRAWING REVISION F		REVISION BY W. JOERGER	DATE 08-20-2016	TOLERANCES UNLESS OTHERWISE SPECIFIED: DEC. INCH mm ANGLE .X ±0.1 [+2.5] ±7-30° .XX ±0.03 [+0.76] .XXX ±0.005 [+0.127] .XXXX ±0.0005 [+0.0127] REMOVE BURRS & BREAK SHARP EDGES: .003/.015 [.076/.381] X 45° CORNER FILLETS: R.02 [.51] MACHINED SURFACES: 200 5.1 INCH mm mm SHOWN IN [BRACKETS]	DRAWN BY MOL	Regal Beloit America, Inc.
ECO-0108079		APPROVED BY E. HEIL	DATE 08-20-2016		DATE 04-12-2012	
ECO DESCRIPTION 193307.60 FRAME WAS C20-112M1-6 COPYRIGHT REGAL BELOIT AMERICA, INC. ALL RIGHTS RESERVED PROPRIETARY AND CONFIDENTIAL INFORMATION - THIS DOCUMENT IS THE PROPERTY OF REGAL BELOIT AMERICA, INC. (OWNER) AND CONTAINS OWNER'S PROPRIETARY INFORMATION. ANY PERSON, CORPORATION OR OTHER FIRM RECEIVING IT IS DEEMED, BY RECEIVING IT, TO AGREE THAT IT, AND/OR ANY PART OF IT, SHALL NOT BE DISCLOSED TO ANY PERSON, CORPORATION OR OTHER ENTITY, DUPLICATED, AND/OR USED, EXCEPT AS EXPRESSLY APPROVED IN WRITING IN ADVANCE BY OWNER. THIS DOCUMENT SHALL BE RETURNED TO OWNER UPON REQUEST. IT MAY BE SUBJECT TO CERTAIN RESTRICTIONS UNDER APPLICABLE EXPORT CONTROL LAWS AND REGULATIONS.				DATE 04-12-2012	DESCRIPTION OUTLINE IEC 112M - 2,4,6 - TEFC	PROCESS/FINISH
THIRD ANGLE PROJECTION		SIZE B	DRAWING NUMBER SS622368	SHEET 1 OF 1		

005102-01

VIEW FROM OUTSIDE OF MOTOR AT SWITCH END.



CONNECT LEADS AS FOLLOWS
FOR FOUR CONDUCTOR CORD ()

CORD	L1 (RED)	L2 (WHITE)	L3 (BLACK)	(GREEN)
MOTOR	T1	T2	T3	GROUND

				TOLERANCES UNLESS SPECIFIED		REGAL ™ Regal Beloit America, Inc.		DRAWN JRW 9/11/75		
				DEC.	INCHES			CHK		
				.X	±.1			APPD JCW 9/11/75		
08	UPDATED TO REGAL LOGO	SAJ 06/26/15	AJY	.XX	±.01	TITLE EXTERNAL WIRING DIAGRAM TYPE "T" W/O PROTECTOR		SCALE 1=1		
07	UPDATED TO CURRENT STANDARDS	DBT 5/30/97		.XXX	±.005			REF W-T6343-6		
06	REDRAWN ON CAD; ADDED DECAL NUMBER	SAW 1/24/95		.XXXX	±.0005			FMF 6T17FB7		
NO.	REVISION	BY & DATE	CHK	ANG	±1/2"	FINISH		PREV		
THIS DRAWING IN DESIGN AND DETAIL IS OUR PROPERTY AND MUST NOT BE USED EXCEPT IN CONNECTION WITH OUR WORK ALL RIGHTS OF DESIGN AND INVENTION ARE RESERVED THIS IS AN ELECTRONICALLY GENERATED DOCUMENT - DO NOT SCALE THIS PRINT				RFP	5/1/02	CAD FILE 00510201		SIZE	DRAWING NO.	REV.
				DIST BRF-NLV				A	005102-01	08

